



The all-in-one contactless,  
contact & swipe card reader

# More Convenience. More Sales.

Give your customers  
the flexibility to pay  
any way they choose

## Accept all forms of cashless payment

- ▶ Debit and Credit Cards
- ▶ Mobile, SMS and NFC Payments
- ▶ Swipe, Contact or Contactless
- ▶ Prepaid cards, closed environment



1

### Part of a complete unattended solution

- ▶ Seamless integration with telemetry, cashless clearance, monitoring, management and BI
- ▶ Secure, durable, reliable

2

### Communicate with your consumers

- ▶ Voice interaction with the consumer in the local language
- ▶ Two languages can be displayed on the VPOS

3

### Plug and play

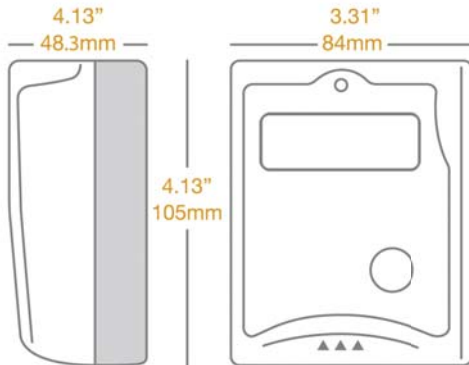
- ▶ Easy to install
- ▶ Simple to use
- ▶ Compatible with all automated machine standards
- ▶ Remote software updates



Executive Plaza 1, 11350 McCormick Road, Suite 1004, Hunt Valley, Maryland 21031  
www.nayax.com | (410) 666-3800 | info@nayax.com



The all-in-one contactless,  
contact & swipe card reader



**VPOS is part of Nayax's complete payment solution for unattended automated machine operators.**

Using Nayax, machine operators all over the world are able to accept all forms of payment, with easy installation, clearance, monitoring and management.

### Supported Payment Schemes

Contact Card: EMV Level 1 + Level 2 - Certified

Contactless: EMV Level 1 - Certified

Contactless: EMV Level 2:

    Visa PayWave MSD + qVSDC

    MasterCard PayPass Mag Stripe

Magnetic Stripe Card - ISO7811, Track 1 + Track 2

Other Cards Supported: NFC, MIFARE, HID-iClass

Support of Payment Applications - Global and Local Environment

### Technical Information

Interface communication - RS232 up to 115,200 kbps

2 X 16 Character LCD display + 4 LEDs + Buzzer + Speaker

Transaction start/end button

Power Supply: 8 Volt DC - 16 Volt DC

Security - Support of DES, 3DES, AES, RSA, SHA1 algorithms

On-board SAM: EMV/HID support

RF contactless Interface: Frequency - 13.56 MHz,  
MIFARE, NFC, HID

### Physical Dimensions

H	4.13"	105mm
W	3.31"	84mm
D	1.9"	48.3mm
Weight	8.11 ounces	230 grams

### Regulatory Compliance

EMVco Level 1 + Level 2

CE + FCC + RoHS

### Operating Conditions

Temperature	-30°C - 50°C	-22°F - 122°F
Humidity	5% - 95% (non-condensing)	

### Storage Conditions

Temperature	-40°C - 60°C	-40°F - 140°F
Humidity	5% - 95% (non-condensing)	

### Standards

ISO 7816 Contact Smart Card, approved by EMVco

ISO 14443 Type A and B, approved by EMVco

ISO 15693

Get Nayax for greater revenue,  
reduced expenses and higher profits.

**Contact us today to learn more.**

Executive Plaza 1, 11350 McCormick Road, Suite 1004, Hunt Valley, Maryland 21031

[www.nayax.com](http://www.nayax.com) | (410) 666-3800 | [info@nayax.com](mailto:info@nayax.com)

Distributed By:

**Vendpro Vending Services**

Unit 3, 23 Geddes Street, Balcatta, WA 6021

P: 08 9240 1333 / F: 08 9240 6133

E: [info@vendpro.com.au](mailto:info@vendpro.com.au) / W: [www.vendpro.com.au](http://www.vendpro.com.au)



# AMIT 3.0

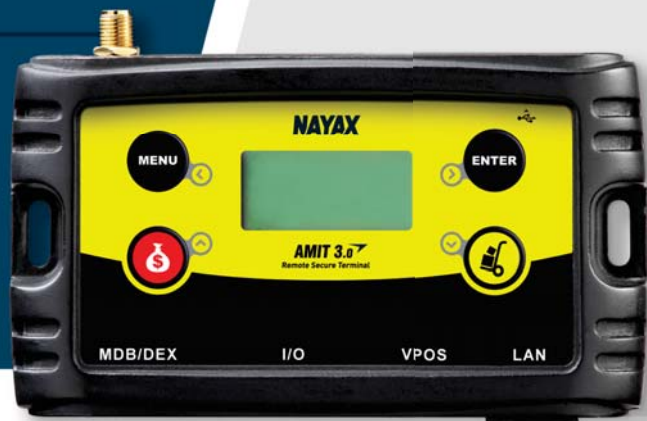
The unattended industry's  
remote secure terminal

## Taking the guesswork out of **management & restocking**

A complete M2M telemetry solution  
ideally suited for unattended  
machine operators and other  
unattended applications

### Remote Secure Terminal

- ▶ External communication -  
GSM/GPRS/CDMA/Ethernet/Wifi
- ▶ MDB/Pulse/VCCS/ccTalk
- ▶ DEX/DDCMP/RS232 Interface



1

### Intelligent Telemetry

The AMIT 3.0 from Nayax is an intelligent telemetry device that provides the ability to monitor machines in real-time with continuously updated information on all aspects of operation.

2

### Enabling Powerful Capabilities

Inventory, cash monitoring, alerts, reports, route planning and remote device control

**NAYAX**  
Attending to the Unattended

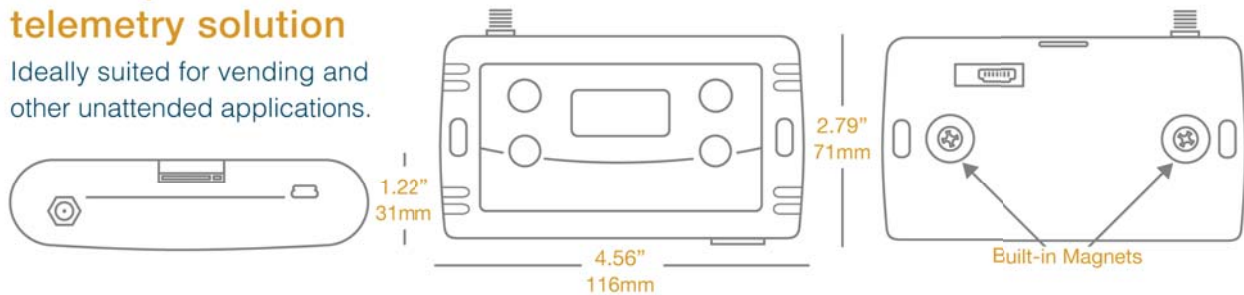
Executive Plaza 1, 11350 McCormick Road, Suite 1004, Hunt Valley, Maryland 21031  
www.nayax.com | (410) 666-3800 | info@nayax.com

# AMIT 3.0

The unattended industry's  
remote secure terminal

## A complete M2M telemetry solution

Ideally suited for vending and  
other unattended applications.



### Temperature

Operating Temperature	-30°C - 50°C	-22°F - 122°F
Humidity	5% - 95% (non-condensing)	
Storage Temperature	-40°C - 60°C	-40°F - 140°F
Humidity	5% - 95% (non-condensing)	

### Peripheral Ports

Mini USB (Host/Device), Ethernet with external Wi-Fi capability
1 X Reader interface
2 X RS232 interface (RS232 or TTL level manageable through software)
2 X Pulse input/output interfaces + pulse input (Inhibit)
2 X Sensors - door open, temperature sensor

### Main Features

ARM Technology - Cortex , 32-bit, 168 Megahertz
High Security Encryption System: AES/DES/RSA/SSL
External flash up to 16 MB
MDB Spy - Capture and analyze messages from all MDB peripherals

### Physical Dimensions

H	4.56"	116mm
D	1.18"	30mm
W	2.55"	65mm
Weight	4.93 ounces	140 grams

### Installation & Support

Easy installation - Device attached to the machine by 2 built in magnets
Remote software update
Multi-language Support - LCD text & Voice Audio
Menu navigation and service functionalities

### Power

Power supply: input 10 - 42 Volt AC, 10 - 30 Volt DC, External output 8 Volt DC
Power consumption 0.3 watt (Idle State) - 1 watt (online) 1.9" / 48.3mm
2 X Super capacitors - for power down alert
Electrostatic discharge: IEC 61000-4-2, level 4 (ESD)
International Protection Rating: IP50

Using Nayax, automated machine operations all over the world are able to accept all forms of payment, with easy installation, clearance, monitoring and management.

Get Nayax for greater revenue,  
reduced expenses and higher profits.  
Contact us today to learn more.

Executive Plaza 1, 11350 McCormick Road, Suite 1004, Hunt Valley, Maryland 21031  
www.nayax.com | (410) 666-3800 | info@nayax.com

Distributed By:

**Vendpro Vending Services**

Unit 3, 23 Geddes Street, Balcatta, WA 6021

P: 08 9240 1333 / F: 08 9240 6133

E: info@vendpro.com.au / W: www.vendpro.com.au

